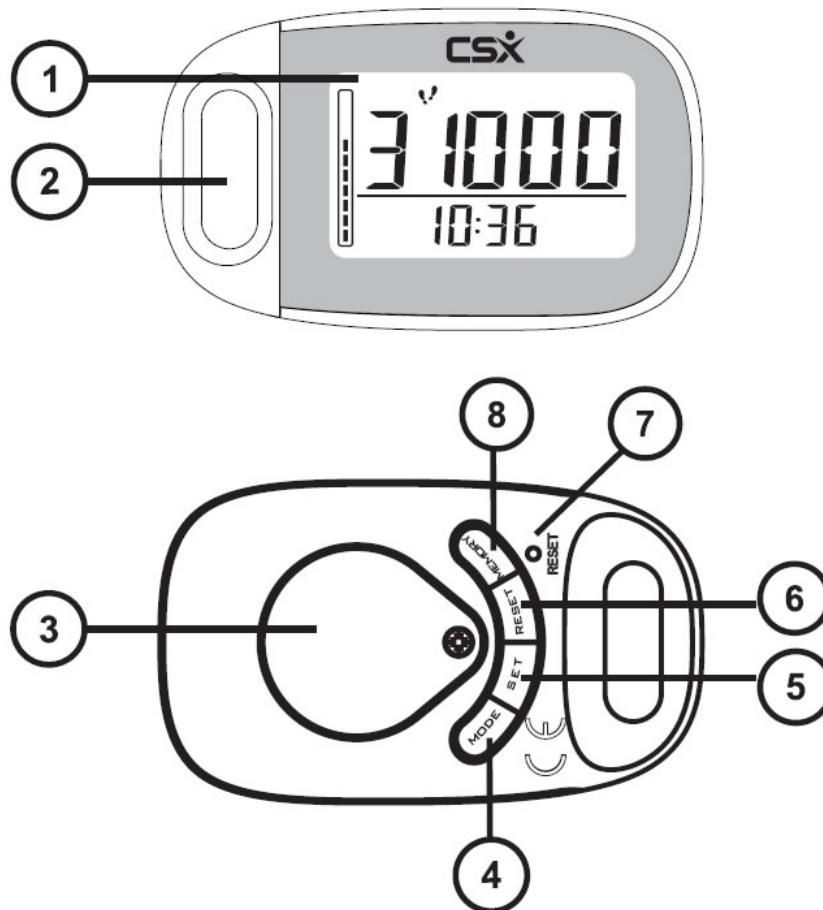




INSTRUCTION MANUAL

361 3D Pedometer

VIDEO INSTRUCTIONS: www.csxpro.com/361



1. FUNCTION

- | | |
|------------------|------------------------|
| 1. LCD Display | 5. SET Button |
| 2. Lanyard Hole | 6. RESET Button |
| 3. Battery Cover | 7. System RESET Button |
| 4. MODE Button | 8. MEMORY Button |

2. FEATURES

PEDOMETER

- 3D Silent Pedometer Sensor
- Step counter up to 99999 steps
- Distance walked up to 999.99 KM / 999.99 Miles
- Calories burned up to 9999.9 Kcal
- Metric and Imperial unit selection
- 10 Steps Error Correction

TARGET

- Set your daily walking steps target

CLOCK

- Display format 12/24 hours

ACTIVITY TIME

- Record your daily activity time during walking

7 DAY MEMORY

- Record your pedometer activities up to 7 days

LOW BATTERY INDICATOR

- Battery icon appears when battery power is low

3. GETTING STARTED / FIRST TIME USE

- Pull battery insulator tab to activate the pedometer.
- If LCD display is not functioning normal and showing abnormal characters, please perform a "SYSTEM RESET." See section (17).

4. BEFORE SETTING UP YOUR PEDOMETER

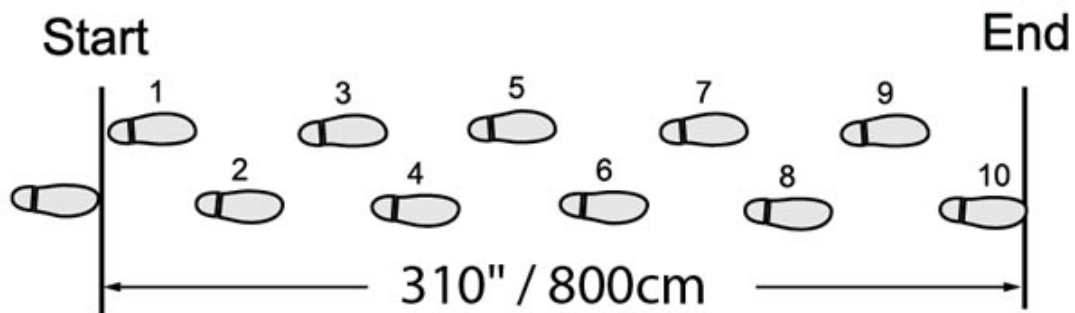
Before you setup your pedometer you need the following information:

- 1) Clock Time
- 2) Your Stride Length (centimeters or inches): _____
- 3) Your Weight (kilograms or pounds): _____
- 4) Your Daily Target Number of Steps: _____

Note: If you wish the pedometer to display the distance walked in miles you will need to record your stride length in inches and weight in pounds. If you wish the pedometer to display the distance walked in kilometers you will need to record your stride length in centimeters and weight in kilograms.

(If you do not have time to measure your stride length and weight you can use the default values provided by the pedometer)

5. MEASURING YOUR STRIDE LENGTH



- a) As above illustration, walk 10 steps with your normal stride
- b) Measure the distance from start to end
- c) Calculate your stride by dividing the total distance by 10

Example:

Total Distance = 310". Therefore, stride = $310" / 10 \text{ paces} = 31"$

Total Distance = 800cm. Therefore, stride = $800\text{cm} / 10 \text{ paces} = 80\text{cm}$

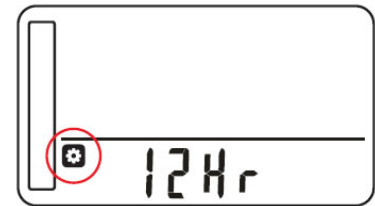
6. QUICK TIPS FOR SETUP AND ENTERING DATA

- 1) To enter "SETUP" press the MODE button until the display shows STEP mode "👣"
- 2) Press and hold the SET button for at least 4 seconds
- 3) The display will start to Flash



In general

- Press the SET button to move through the options
- Press the RESET button to increase a value
- Press the MODE button to decrease a value
- Holding down either the RESET or MODE buttons increases / decreases the numbers rapidly



To exit setup mode

Do not press any buttons, after 10 seconds the pedometer will exit setup mode and store the information you entered.

7. QUICK SETUP STEP BY STEP

- Press the MODE button until the display shows STEP mode “👣” (not total step)
- Press SET for about 4 seconds (the display will flash)
- Press the MODE button to select either 24hr (military) time or 12hr (**24hr recommended** – then you don’t have to worry about am / pm)
- Press SET
- The MODE button decreases the hour, the RESET button increases it
- Press SET
- The MODE button decreases the minutes, the RESET button increases it
- Press SET
- Press the MODE button to select CM (distance measured will be kilometers) or IN (distance measured will be miles)
- Press SET
- The default stride length will begin to flash, press the MODE button to decrease the number and the RESET button to increase the number
- Press SET
- The default weight will begin to flash, press the MODE button to decrease the number and the RESET button to increase the number
- Press SET
- The default step target will begin to flash (5000 steps) press the MODE button to decrease the number and the RESET button to increase the number
- Press SET

If you need to change any of the settings you can go back into SETUP at any time by pressing the SET button for 4 seconds when in STEP mode.

8. PEDOMETER FUNCTION

Your steps are detected via the walking movement. You can place the pedometer inside your pocket, handbag / backpack or attach it using the strap. **TIP:** If you hang the pedometer around your neck, place it under your clothes to prevent the pedometer bouncing as this may cause the pedometer to count extra steps.

9. TEN STEPS ERROR CORRECTION

To avoid counting sudden movements as steps, the counter will not count any movement less than 10 consecutive steps. Once you have walked 10 consecutive steps the pedometer will then begin counting 11, 12, 13 etc.

IMPROPER STEP COUNTING

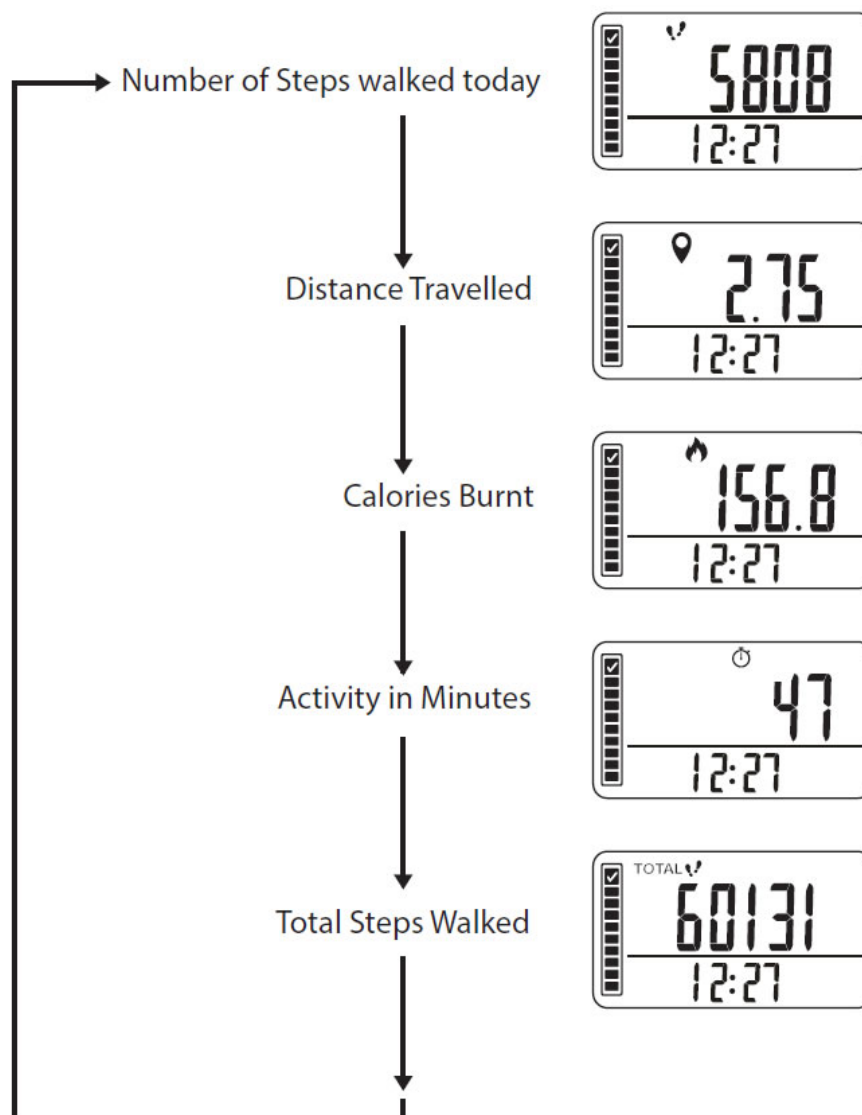
The pedometer may not count steps correctly in the following conditions:

- Irregular motion such as swinging and vibrating
- Inconsistent walking pace

10. CHANGING THE DISPLAY


Press the MODE button to change the display.

Each time you press the MODE button, the display will change:



11. STEP FUNCTION

Step counter up to 99,999 steps

Press the MODE button until the top of the display shows STEP mode “”. This shows the number of steps walked during the day.




Reset the day step counter: Press and hold the RESET button until the digits revert back to zero.

WARNING: The pedometer data for the day will be reset to ‘0’. (This however will not erase the memory or total steps, as described in the TOTAL STEP FUNCTION.)

12. TOTAL STEP FUNCTION

Step counter up to 99,999 steps

Press the MODE button until the top of the display shows the words “TOTAL ”. This shows the total number of steps accumulated since the last reset of the pedometer. This is the total number of steps walked over a period of time.



While in “TOTAL STEP” mode press the SET button repeatedly to view:

Total Distance Walked → Total Calories Burnt → Total Time Walked

Reset the Counter: While in “TOTAL STEP” mode press and hold the RESET button until the digits revert back to zero.

WARNING: All pedometer step data including memory will also be reset to ‘0’.

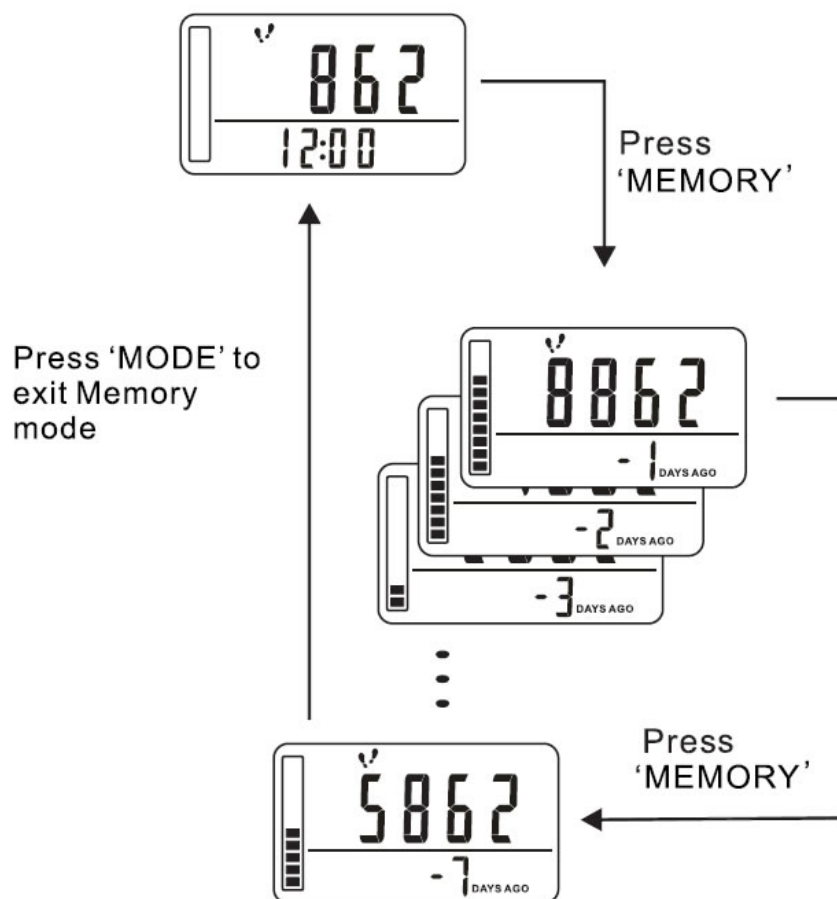
13. MEMORY FUNCTION

The pedometer can store up to seven days of data for the number of steps walked.

The current day data is automatically stored in memory when the clock time reaches 12:00am midnight. The display will reset to '0' for the new day.

WARNING: Changing the clock time may affect the data stored in the pedometer memory.

- Press the MEMORY button
- The step data from yesterday is displayed: "-1 DAYS AGO" is displayed
- Continue pressing the MEMORY button for "-2, -3, -4, -5, -6, -7 DAYS



- To exit memory mode, press the MODE button to return to the current day data.

VIEW MEMORY DATA FOR EACH DAY

While viewing a memory day press the SET button repeatedly to view the data for each day:

Step Count → Distance Walked → Calories Burnt → Time Walked

RESETTING THE MEMORY DATA

To reset all of the Memory data to '0':

Press the MODE button until in "TOTAL STEP" mode
Press and hold "RESET" button until the digits reset to '0'



Note: ALL PEDOMETER DATA INCLUDING MEMORY DATA WILL BE CLEARED!

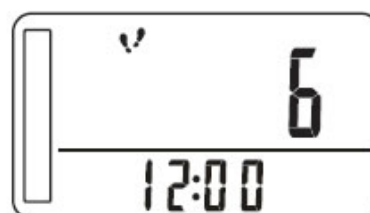
14. TARGET STEP FUNCTION

The STEP TARGET is the number of steps you would like to walk each day. The pedometer displays a progress bar to show how many steps you have walked so far in comparison to your daily step target. This makes it easier for you to make more informed decisions throughout the day and find ways to walk more steps and achieve your goal at the end of the day.

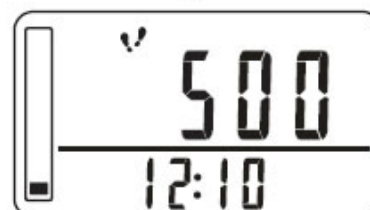
Understanding the "TARGET" progress bar:

For example 5000 steps

At the beginning




After 500 steps (10% target)
- a progress of 1 bar is shown indicating 10% of target is reached

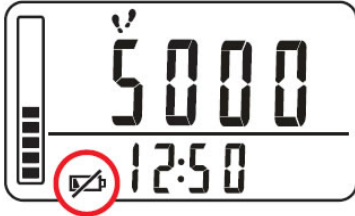


After 5000 steps (100% target)
- all 10 progress bars are displayed showing 100% of target is reached



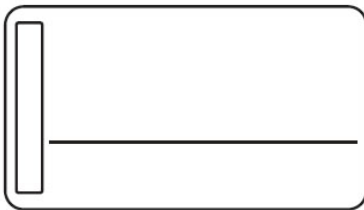
15. LOW BATTERY INDICATOR

When the battery power has dropped to a certain level, the low battery indicator icon  will show up on the display. It is time to replace with a fresh battery.



16. SLEEP MODE

If the pedometer is left idle for 30 seconds, the LCD display will shut off automatically. If any movements are detected, the pedometer will wake up from sleep mode.



Sleep mode: LCD display automatically shut off

17. SYSTEM RESET

Use the SYSTEM RESET function in the following situations:

- When the batteries are being replaced
- When the display becomes unrecognizable
- When pressing any keys have no actions

Press the SYSTEM RESET button on the back of the unit with a paper clip. The display will revert to its default settings

WARNING: all data stored in MEMORY and the set data (time, weight, and stride length) will be erased. You will need to set the time, weight and stride length again

18. CHANGING THE BATTERIES

The pedometer uses 1 x CR-2032 button cell battery

- Twist and unscrew the battery door using a coin
- Take out the old battery
- Replace with a fresh battery. Make sure it is inserted in the correct polarity position
- Screw the battery door back into place

Battery disposal EC Directive 2006/66/EC

Batteries are not a part of your regular household waste. You must return batteries to your municipality's public collection or wherever batteries of the respective type are being sold.

Disposal of electric and electronic devices EC Directive 2012/19/EU

This product is not to be treated as regular household waste but must be returned to a collection point for recycling electric and electronic devices. Further information is available from your municipality, your municipality's waste disposal services, or the retailer where you purchased your product.

19. SAFETY – PLEASE READ BEFORE EXERCISING

IMPORTANT - Before starting any form of exercise program, consult your doctor or therapist. If at any time during your exercise you experience discomfort or pain, stop the exercise immediately and consult your doctor. Always Warm up - Cool down and stretch before and after exercising. This will help prevent straining muscles.

20. CONTACT CSX

To contact CSX – Competitive Sport Xtreme, please email or send a support ticket to: support@csxpro.com or www.csxprosupport.com

Made in China



Copyright (c) 2015 Competitive Sport Xtreme